

# Component General, Inc.

P/N: CHT- 150 SM

Coaxial Terminations

picture coming soon

## Electrical Specifications

**Power:**

150 W.

**Frequency Range:**

DC - 1.0 GHz  
1.0 - 2.0 GHz

**VSWR (Max.):**

1.15:1  
1.40:1

**Impedance:**

50  $\Omega$

## Mechanical Specifications

**Connector:**

Stainless Steel, Passivated.

**Contact:**

Beryllium Copper, Silver plated.

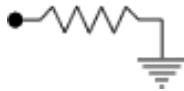
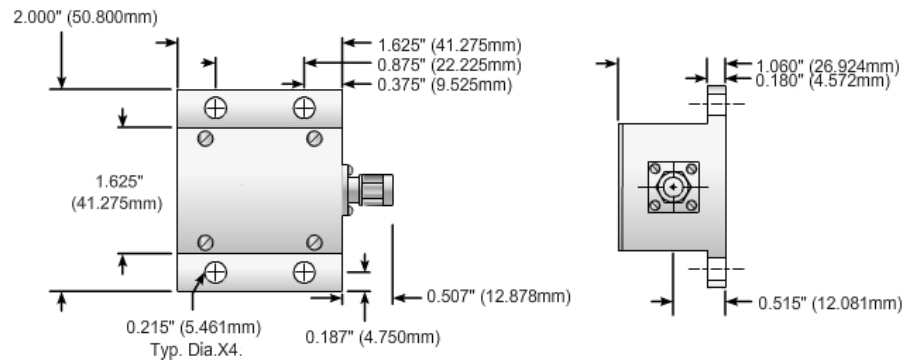
**Housing:**

Copper, Nickel plated.

**Insulator:**

PTFE, Virgin grade.

## Part Dimensions



The CHT Series high power coaxial terminations are conduction cooled loads. They are designed to be mounted on a heat sink ground plane or a chill plate. The power ratings require that the base plate of the CHT-15-2 does not exceed 100°C or 85°C for all other sizes.



2445 Success Drive Odessa, FL 33556  
727-376-6655 or 800-246-4084